



IN THE KL 3600 SERIES ONE INCH SWITCHES, THE COLE INSTRUMENT ROTARY SWITCH LOCK OFFERS MANY OPTIONS AND COMBINES THE VERSATILITY OF A MULTI-FUNCTION SWITCH WITH THE HIGH SECURITY OF THE MEDECO CYLINDER.

## The Innovative Switch Company

The Cole Instrument switch is a high reliability switch that meets or surpasses the most stringent requirements of MIL-DTL-3786.

The Medeco lock is designed to resist drilling, wrenching, pick resistance and other forms of physical attack. Other features include:

- Restricted factory-registered key system with exclusive key assignment available on request.
- Versatile master-keying capability.
- Manufactured to precision quality standards by skilled craftsmen.
- Double "D" mounting.

The Cole Instrument switch lock was designed for critical and high security applications and demanding usage in aircraft, weapons, medical and industrial control and instrumentation, as well as ground support electronic equipment.

Cole Instrument engineering and design capabilities are available to customers with special application requirements.



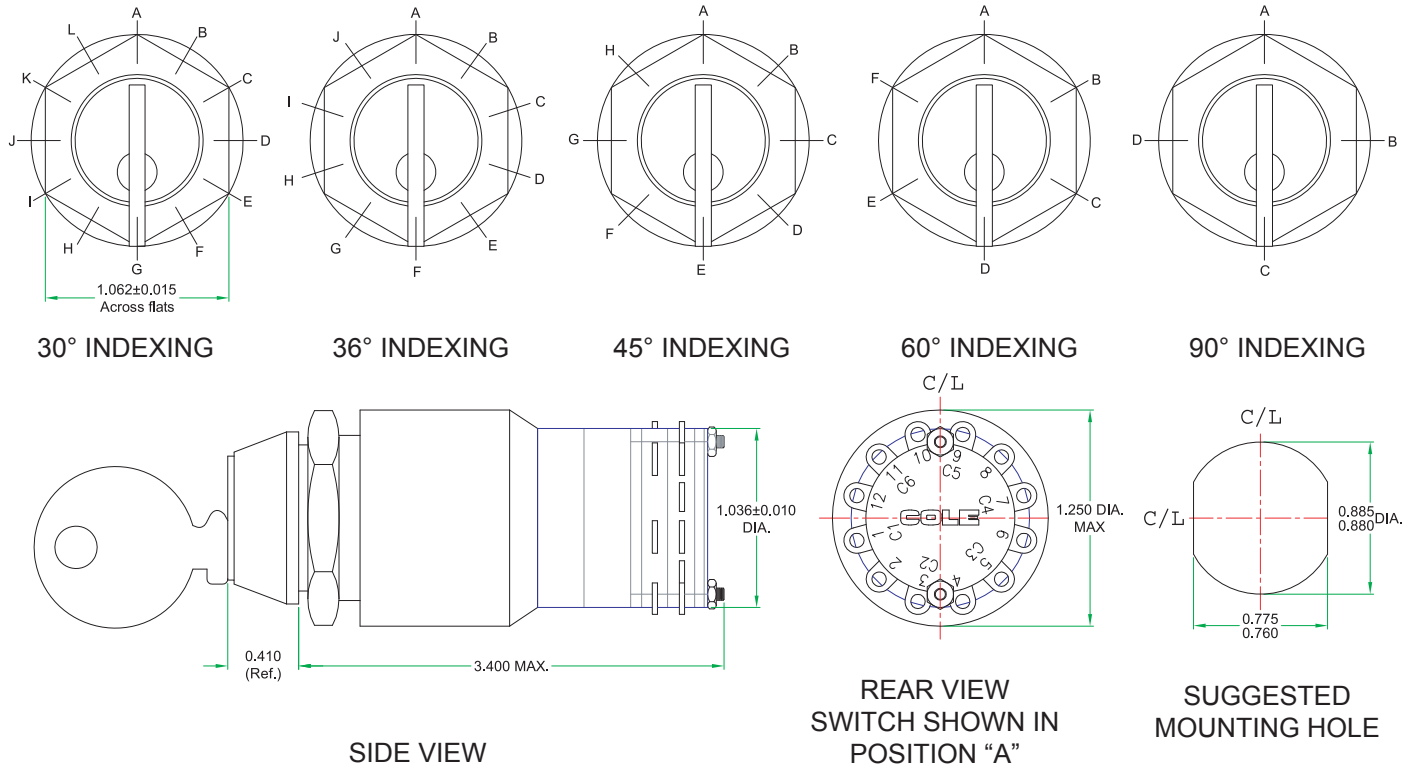
## KL 3600 SERIES Key Lock One-Inch Enclosed Rotary Switches

TWO TYPES OF LOCKS ARE AVAILABLE

1. KL (standard) for applications where it is not required to have the stringent requirement of MIL-DTL-3786, but conforms to Cole's high reliability switch with a high security lock adapter.
2. MKL for applications where it is required to meet the requirements of MIL-DTL-3786 with a high security lock adapter.

# KL 3600 SERIES

## Key Lock One-Inch Enclosed Rotary Switches



### Option of Location where Key is Removable

- Position "A" Thru "L" - 30° Indexing.
- Position "A" Thru "J" - 36° Indexing.
- Position "A" Thru "H" - 45° Indexing.
- Position "A" Thru "F" - 60° Indexing.
- Position "A" Thru "D" - 90° Indexing.

The switches are in position #1 when the key in position "A".

#### NOTE:

Shown switch 30° indexing, 1 deck, 6 poles, 12 positions.

# KL 3600 SERIES

## Key Lock One-Inch Enclosed Rotary Switches

### ORDERING INFORMATION AND NOTES:

#### How to determine part number

KL3630-602-1S with keypulls at A-D-G-I-K:

Sample part number for a 3600 Series Switch, 30° indexing, 1 deck, 6 pole per deck, 2 positions per pole, shorting switch with key removals at A, D, G, I and K positions.

1. The chart below lists the standard available combinations for 30°, 36°, 45°, 60°, 90° switches.

ANGLE OF THROW (**)	POSITIONS PER POLE				
	ONE POLE	TWO POLES	THREE POLES	FOUR POLES	SIX POLES
30°	2 -12	2 - 6	2 - 4	2 - 3	2
36°	2 - 10	2 - 5	NA	NA	NA
45°	2 - 8	2 - 4	NA	2	NA
60°	2 - 6	2 - 3	2	NA	NA
90°	2 - 4	2	NA	NA	NA

\*\* Shorting and non-shorting contacts are available in the 30°, 36°, 45°, 60° and 90° angle of throw.

2. When ordering specify KL or MKL as a preface to the COLE basic switch number. A special Cole P/N will be assigned.
3. All keylock switches are keyed alike unless otherwise specified.
4. Keylock switches are supplied with full circle of terminals regardless of the number of active positions.
5. Switches of 6 decks or more have longer studs with extra stud nuts for recommended double-end mounting.
6. Add 0.312 for length, for each additional deck.



2650 South Croddy Way Phone: 714.556.3100  
P.O. Box 25063 Fax: 714.241.9061  
Santa Ana, CA 92799-5063 Email: sales@cole-switches.com

[www.cole-switches.com](http://www.cole-switches.com)

ISO9001 CERTIFIED

©2020 Cole Instrument Corp. All rights reserved. C - 011718