



COLE'S 1830 SERIES IS IDEAL FOR CRITICAL AND DEMANDING APPLICATIONS THAT REQUIRE THE HIGHEST POSSIBLE RELIABILITY REQUIREMENTS. CONSTRUCTED WITH QUALITY MATERIALS IN A POSITIVE-AIR-PRESSURE ROOM ENVIRONMENT, THIS PRECISION SWITCH IS PERFECT FOR USAGE IN AIRCRAFT, MEDICAL EQUIPMENT, ELECTRONICS, ORDNANCE, AND INSTRUMENTATION.



The 1830 Series meets or exceeds applicable requirements of MIL-DTL-3786 Style SR35.

Certified test reports available on request.

## The Innovative Switch Company

The ultimate in a 30 degree rotation, single deck rotary switch, the Cole 1830 Series offers precision and unique circuit versatility in a .562 inch diameter, fully enclosed package. It has been engineered to meet or exceed applicable MIL-DTL-3786, Style SR35 requirements and has been tested per MIL-STD-202 as follows:

- THERMAL SHOCK PER MIL-STD-202; METHOD 107, TEST CONDITION "B"
- VIBRATION PER MIL-STD-202; METHOD 204, TEST CONDITION "B"
- MEDIUM SHOCK PER MIL-STD-202; METHOD 213
- HIGH SHOCK PER MIL-STD-202; METHOD 207
- MOISTURE RESISTANCE PER MIL-STD-202; METHOD 106
- EXPLOSION PROOF PER MIL-STD-202; METHOD 109
- SALT SPRAY PER MIL-STD-202; METHOD 101, CONDITION "B"

The series 1830 is available with 1 pole, 2-12 positions and 2 pole, 2-6 positions, plus 4 pole 2-3 positions. Available in standard solder lug or PC terminals, the Cole Series 1830, with its unique design, renders the switch resistant to water, contaminants, and most solvents.

The 1830 Series is designed for low level current (10 mA) @ (30mV) DC or peak AC, as well as standard ratings.

## 1830 SERIES

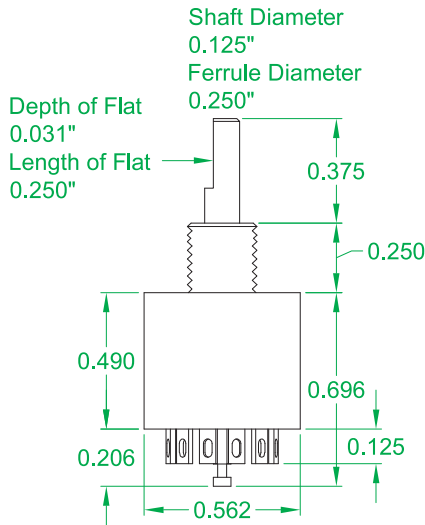
.562" Diameter, 30° Indexing Enclosed Rotary Switches

The full QPL'd MIL switch is commercially available, as are all these configurations:

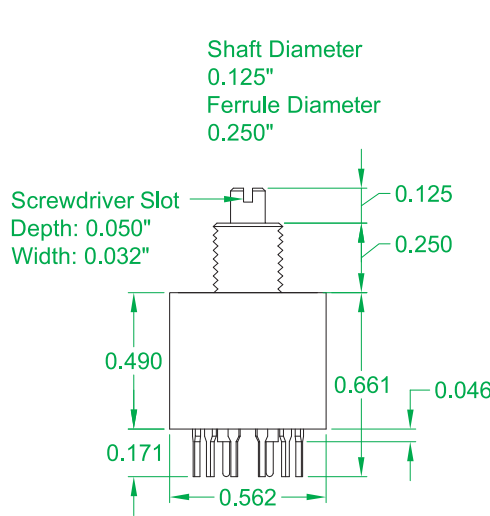
- 1830 Standard (page 3)
- 1830 Screwdriver Shaft (page 3)
- 1830 Coded (page 4)
- 1830 Spring Return (page 7)
- 1830 Push/Pull (page 5)

# 1830 SERIES

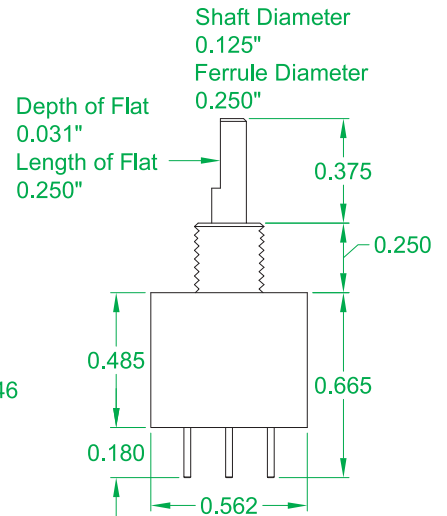
.562" Diameter, 30° Indexing Enclosed Rotary Switches



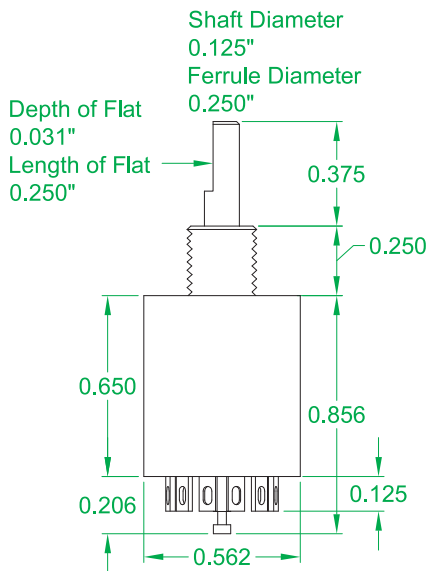
1830 Standard  
(See Page 3)



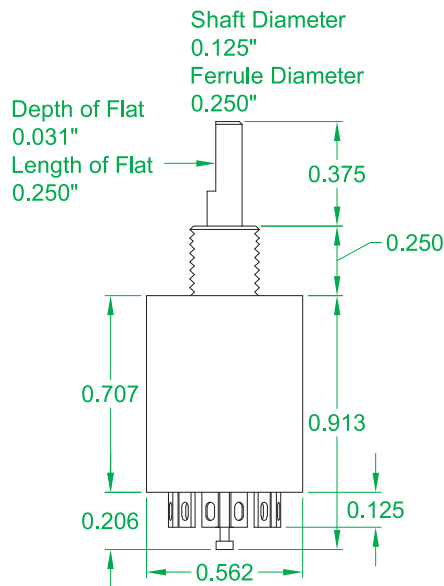
1830 Screwdriver Shaft  
(See Page 3)



1830 Coded  
(See Page 4)



1830 Spring Return  
(See Page 7)



1830 Push/Pull  
(See Page 5)

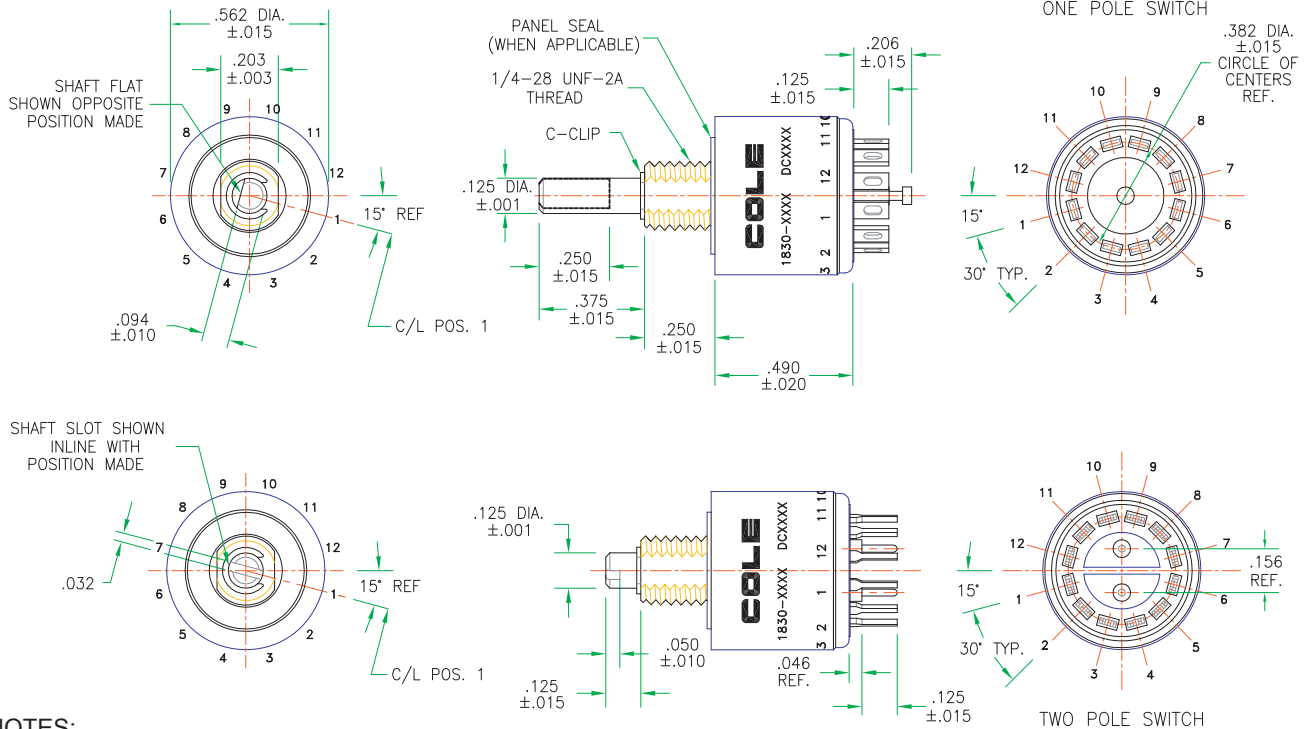
## NOTES:

- 1830 Standard – .125 Shaft Diameter, .250 Ferrule Diameter, .562 Body Diameter, (See Page 3).
- 1830 Screwdriver Shaft – .125 Shaft Diameter, .250 Ferrule Diameter, .562 Body Diameter, (See Page 3).
- 1830 Coded – .250 Shaft Diameter, .375 Ferrule Diameter, .562 Body Diameter, (See Page 4).
- 1830 Push/Pull – .125 Shaft Diameter, .250 Ferrule Diameter, .562 Body Diameter, (See Page 5).
- 1830 Spring Return – .125 Shaft Diameter, .250 Ferrule Diameter, .562 Body Diameter, (See Page 7).

# 1830 SERIES

.562" Diameter, 30° Indexing Enclosed Rotary Switches

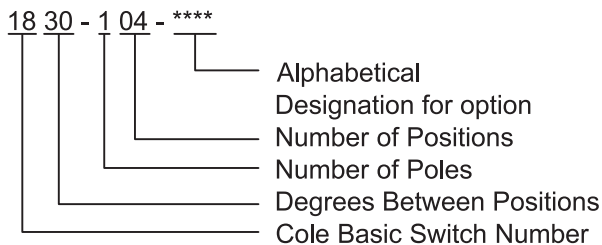
## 1830 Standard Series



### NOTES:

1. Dimensions are in inches.
2. Unless otherwise specified, tolerances are  $\pm .005$  and  $\pm 3^\circ$  on angles (non-accumulative).
3. Position 1 and terminal 1 coincide.
4. The screw-driver slotted shaft dimensions are indicated; all other remains the same.  
The slot in the shaft lines up with the point of contact of pole number one.
5. The standard 1830 is furnished with: 1/8 diameter shaft, solder lug termination, non-shorting contacts, without seals, and continuous rotation (no stops) for full-turn switches.

### PART NUMBER ORDERING EXAMPLES



#### 18 30 -1 04 -CPS

Part Number for a 1830, 1/8" diameter shaft, 30° indexing, 1 pole per deck, 4 positions per pole, shorting contacts shaft and panel seals, and PC terminals.

#### 18 30-2 02 -GQ

Part Number for a 1830, 1/4" diameter shaft, 30° indexing, 2 poles per deck, 2 positions per pole, non-shorting contacts, RFI-EMI shielding, and solder lug terminals.

### OPTIONS

The following options can be added to the standard switch. When ordering, simply add the letters after the basic part number.

- Options listed in alphabetical order only.
- A = Adjustable stops.
  - C = Printed circuit mounting terminals.
  - F = Fixed stop between the first and last position on the 12 position switch.
  - G = RFI-EMI shielding.
  - P = Panel and shaft seals.
  - Q = 1/4" diameter shaft.
  - S = Shorting type switch.
  - SD = Screwdriver Slot.
  - T = Pre-tinned terminals.
  - Y = Non-turn washer.



2650 South Croddy Way Phone: 714.556.3100  
 P.O. Box 25063 Fax: 714.241.9061  
 Santa Ana, CA 92799-5063 Email: sales@cole-switches.com

[www.cole-switches.com](http://www.cole-switches.com)

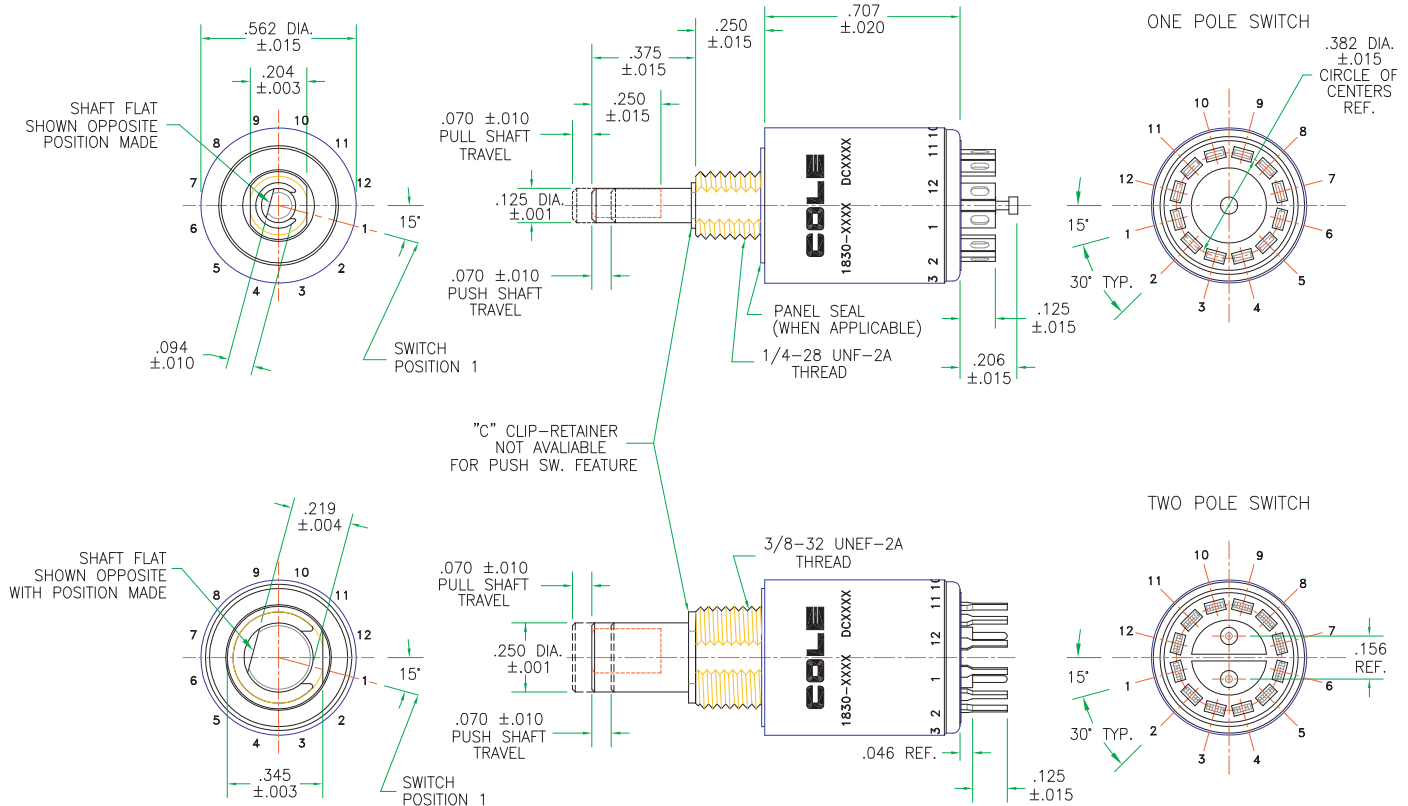
ISO9001 CERTIFIED

©2020 Cole Instrument Corp. All rights reserved. F-032619

# 1830 SERIES

.562" Diameter, 30° Indexing Enclosed Rotary Switches

## 1830 Pull/Push

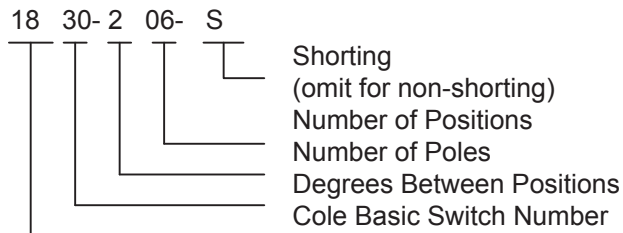


### NOTES:

1. Dimensions are in inches.
2. Unless otherwise specified, tolerances are  $\pm .005$  and  $\pm 3^\circ$  on angles (non-accumulative).
3. Position 1 and terminal 1 coincide.
4. Switches are provided with a full circle of terminals, regardless of number of active position.

### ORDERING INFORMATION

Begin by identifying the switch using the COLE part numbering system as shown:



Indicate this is a SPECIAL switch to ensure that no error is made when the order is entered.

**Many of the options available for the 1830 Standard are also available for this configuration. Please contact Cole to order.**

Sample part number:

SPECIAL  
1830-206-S  
STOP1PS2PS3PS4 6STOP

This sample part number orders a Series 1800 standard style switch, 36° indexing, 2 poles, 5 positions per pole shorting, and push-to-turn isolation posts between positions 1-2, 2-3, and 3-4.

Although somewhat long, use of this numbering scheme will prevent error in orders processing. Upon receipt of your order, a special number will be issued unique to this switch. These numbers will not relate to the coding system and will be logged as "special".

The acknowledgment of your order will identify this number. Your specific switch will be the only one identified by this number. Contact Cole for price.



2650 South Croddy Way Phone: 714.556.3100  
 P.O. Box 25063 Fax: 714.241.9061  
 Santa Ana, CA 92799-5063 Email: sales@cole-switches.com

[www.cole-switches.com](http://www.cole-switches.com)

ISO9001 CERTIFIED

©2020 Cole Instrument Corp. All rights reserved. F-032619

# 1830 SERIES

.562" Diameter, 30° Indexing Enclosed Rotary Switches

---

## 1830 Isolated Position Switch Description

A special feature of rotary switches is available known as “isolated position”. This feature allows switch shaft rotation that requires the user to either pull or push the shaft before it will respond to rotational torque. The user identifies the position or positions affected by the isolation mechanism.

Incorporation of the isolated position feature in Cole’s 1830 Series switches will add 0.217 inches to the length.

### SPECIFYING POSITIONS

The Cole System for identifying isolation positions lets you perform the selection by inserting isolation posts next to the positions to be isolated. An 1830 Series switch with 30° indexing and continuous rotation is shown below with no isolation position identified in the spaces between the terminals.

12\_1\_2\_3\_4\_5\_6\_7\_8\_9\_10\_11\_12

If you isolate positions 1, 2 and 3, the isolation post insertion points are identified by the letters PL (for actuation by pulling the shaft out), or PS ( for actuation by pushing the shaft in) as shown below:

12PL1PL2PL3PL4 5 6 7 8 9 10 11 12

This indicates that you can only get to positions 1, 2 and 3 by pulling on the shaft while all other positions can be achieved with normal rotational torque on the shaft.

If positions 1 and 2 are isolated from all other position but not from each other:

2PS1 2PS3 4 5 6 7 8 9 10 11 12

In this case you need to push on the shaft to get to position 1 from position 12 as well as position 2 from position 3. However, to get from position 1 to position 2 merely requires rotational torque on the shaft.

As a special feature, certain positions on the switch can be isolated in unidirectional mode. That means that the positions can be achieved with normal rotational torque on the shaft, but requires a push or pull action to get to the next position (Ramp-In). Conversely, reaching the isolated position with a push or pull action on the shaft but requiring normal rotational torque (Ramp-out) for the next position, is also available. Please consult the factory for special features.

### SPECIFYING STOPS

Stops must be incorporated when a switch has multiple poles or specifies less than the numbers of positions available. If a switch with 30° indexing is specified as an 8 position switch with position 1 isolated with push actuation required, the designation would be:

STOP1PS2 3 4 5 6 7 8STOP

Since the stop mechanism is inserted between positions 12 and 1, the isolation post is only required between positions 1 and 2. The stop mechanism inserted between terminals 8 and 9 serves to limit the switch to 8 positions.

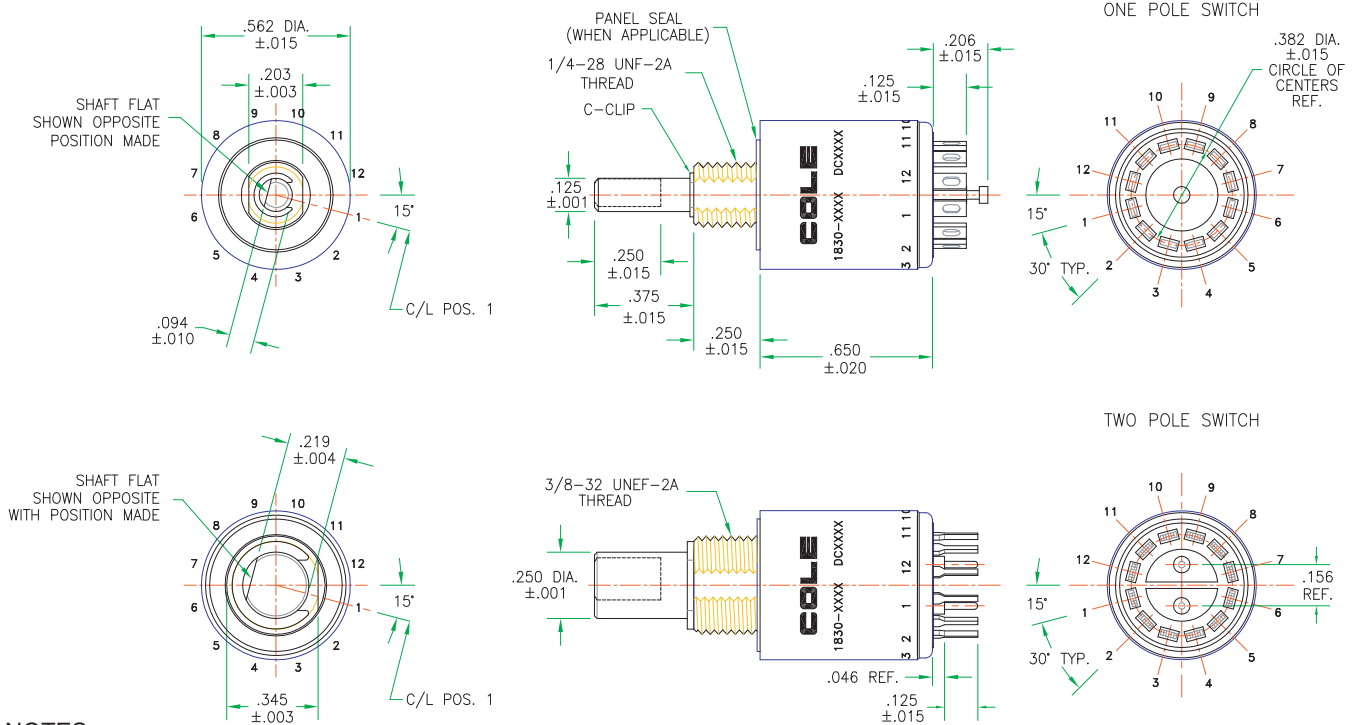
When stop and isolation mechanism are used in multipole switches, all poles are slaved to the first pole in the case of a 2 pole, 12 position switch with 30° indexing, isolating position 1 will automatically isolate position 7. (Refer to the standard switch schematics for 30° indexing switches, page No. 3



# 1830 SERIES

.562" Diameter, 30° Indexing Enclosed Rotary Switches

## 1830 Spring Return



**NOTES:**

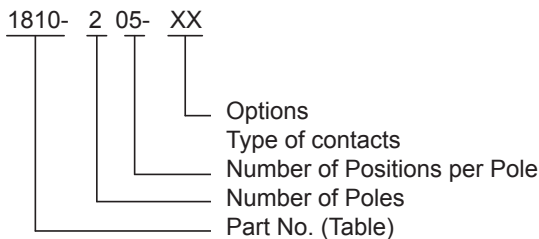
1. Dimensions are in inches.
2. Unless otherwise specified, tolerances are  $\pm .005$  and  $\pm 3^\circ$  on angles (non-accumulative).
3. Position 1 and terminal 1 coincide.
4. Switches are provided with a full circle of terminals, regardless of number of active position.
5. Spring return life-cycle is 15,000 momentary cycles for the 1830 form factor.

**DESCRIPTION:**

A spring return rotary switch requires that manual torque be maintained at the desired switch position. Releasing the force allows the spring to return the contact to a normal, or detent positions. Arrows in the CONFIGURATIONS AND RESTRICTIONS TABLE indicate the direction the spring will return the contact so it assumes a normal detent position, the "D" designates a normal detent position.

**ORDERING INFORMATION**

Create the part number using this example:



This sample part number orders a 1830 Series switch with 30° indexing, momentary terminal 5 returning to terminal 4 (10 to 9 is slaved), 2 poles, 5 positions per pole, shorting contacts, with options available as shown in the table.

**OPTIONS**

The following options can be added to the standard switch. When ordering, simply add the letters after the basic per number. Options listed in alphabetical order only.

- C = PC Terminals
- G = RFI-EMI shielding
- P = Panel and shaft seals
- Q = 1/4" Dia. shaft
- S = Shorting
- SD = Screwdriver slot
- T = Pre-tinned terminals
- Y = Non-turn washer



2650 South Croddy Way Phone: 714.556.3100  
 P.O. Box 25063 Fax: 714.241.9061  
 Santa Ana, CA 92799-5063 Email: sales@cole-switches.com

[www.cole-switches.com](http://www.cole-switches.com)  
 ISO9001 CERTIFIED

©2020 Cole Instrument Corp. All rights reserved. F-032619

# 1830 SERIES

.562" Diameter, 30° Indexing Enclosed Rotary Switches

## 1830 Spring Return Rotary Switch Description

A rotary switch with a spring return mechanism allows certain selected positions to have momentary action wherein they can be maintained only with positive force on the shaft. Releasing the shaft will return the switch to its previous position. This feature is available in the COLE SERIES 1800, 1830, and 3600 switches.

Addition of this mechanism to the SERIES 1830 switch adds 0.217 inches to its length; all other dimensions remain unchanged.

The spring return feature in the SERIES 1830 switch is available only with 30° angle of throw as a standard.

Custom requirements can be accommodated by contacting the factory.

### CONFIGURATIONS AND RESTRICTIONS TABLE

| INDEXING             | Part No. | Switch Action | No. of poles | Position Per Pole | Terminal Opposite to Flat |
|----------------------|----------|---------------|--------------|-------------------|---------------------------|
| 30° SPRING<br>RETURN | 1801     | 1->2          | 1 or 2       | 2                 | 2                         |
|                      | 1802     | 1<-2          | 1 or 2       | 2                 | 1                         |
|                      | 1803     | 1->2D3        | 1 or 2       | 3                 | 2                         |
|                      | 1804     | 1D2<-3        | 1 or 2       | 3                 | 1                         |
|                      | 1805     | 1->2<-3       | 1 or 2       | 3                 | 2                         |
|                      | 1806     | 1->2D3D4      | 1 or 2       | 4                 | 2                         |
|                      | 1807     | 1D2D3<-4      | 1 or 2       | 4                 | 1                         |
|                      | 1808     | 1->2D3<-4     | 1 or 2       | 4                 | 2                         |
|                      | 1809     | 1->2D3D4D5    | 1 or 2       | 5                 | 2                         |
|                      | 1810     | 1D2D3D4<-5    | 1 or 2       | 5                 | 1                         |
|                      | 1811     | 1->2D3D4<-5   | 1 or 2       | 5                 | 2                         |
|                      | 1812     | 1->2D3D4D5D6  | 1 or 2       | 6                 | 2                         |
|                      | 1813     | 1D2D3D4D5>-6  | 1 or 2       | 6                 | 1                         |
|                      | 1814     | 1->2D3D4D5<-6 | 1 or 2       | 6                 | 2                         |

THE MAXIMUM NUMBER OF POLES PER SWITCH IS 2.

-> DIRECTION OF SPRING RETURN <-

FOR DIFFERENT REQUIREMENTS PLEASE CONTACT THE FACTORY.



2650 South Croddy Way Phone: 714.556.3100  
P.O. Box 25063 Fax: 714.241.9061  
Santa Ana, CA 92799-5063 Email: sales@cole-switches.com

[www.cole-switches.com](http://www.cole-switches.com)

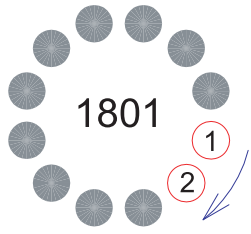
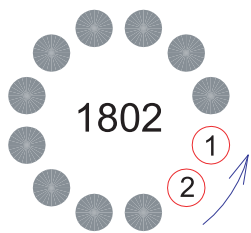
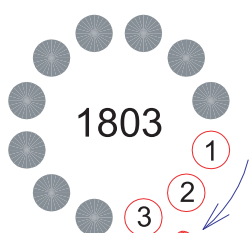
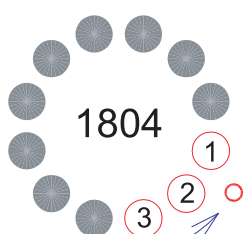
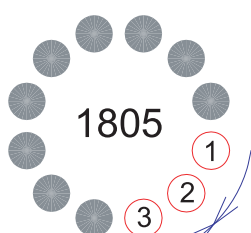
ISO9001 CERTIFIED

©2020 Cole Instrument Corp. All rights reserved. F - 032619

# 1830 SERIES

.562" Diameter, 30° Indexing Enclosed Rotary Switches

Configurations and Restrictions Table

| Indexing | Part No. | Switch Action   | Switch Action Description | No. of Poles | Position per Pole | Lowest Non-Momentary Position |
|----------|----------|---|---------------------------|--------------|-------------------|-------------------------------|
| 30°      | 1801     |    | 1 → 2                     | 1 or 2       | 2                 | 2                             |
| 30°      | 1802     |    | 1 ← 2                     | 1 or 2       | 2                 | 1                             |
| 30°      | 1803     |  | 1 → 2D3                   | 1 or 2       | 3                 | 2                             |
| 30°      | 1804     |  | 1D2 ← 3                   | 1 or 2       | 3                 | 1                             |
| 30°      | 1805     |  | 1 → 2 ← 3                 | 1 or 2       | 3                 | 2                             |



**COLE**  
INSTRUMENT CORP.

2650 South Croddy Way Phone: 714.556.3100  
 P.O. Box 25063 Fax: 714.241.9061  
 Santa Ana, CA 92799-5063 Email: sales@cole-switches.com

[www.cole-switches.com](http://www.cole-switches.com)

ISO9001 CERTIFIED

©2020 Cole Instrument Corp. All rights reserved. F-032619



# 1830 SERIES

.562" Diameter, 30° Indexing Enclosed Rotary Switches

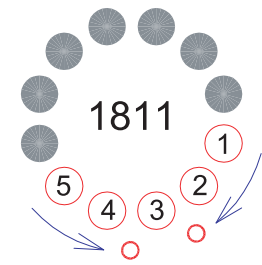
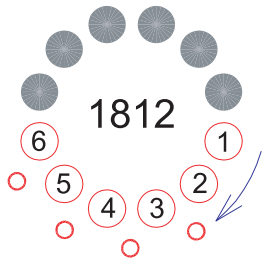
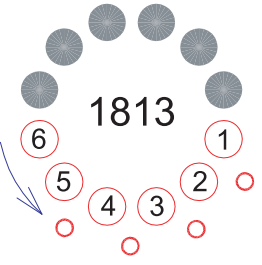
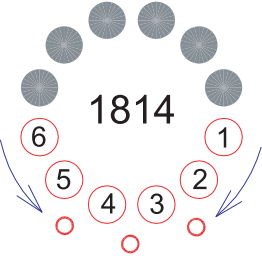
Configurations and Restrictions Table

| Indexing | Part No. | Switch Action | Switch Action Description | No. of Poles | Position per Pole | Lowest Non-Momentary Position |
|----------|----------|---------------|---------------------------|--------------|-------------------|-------------------------------|
| 30°      | 1806     |               | 1→2D3D4                   | 1 or 2       | 4                 | 2                             |
| 30°      | 1807     |               | 1D2D3←4                   | 1 or 2       | 4                 | 1                             |
| 30°      | 1808     |               | 1→2D3←4                   | 1 or 2       | 4                 | 2                             |
| 30°      | 1809     |               | 1→2D3D4D5                 | 1 or 2       | 5                 | 2                             |
| 30°      | 1810     |               | 1D2D3D4←5                 | 1 or 2       | 5                 | 1                             |

# 1830 SERIES

.562" Diameter, 30° Indexing Enclosed Rotary Switches

Configurations and Restrictions Table

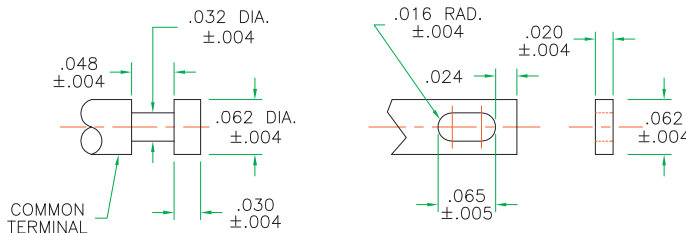
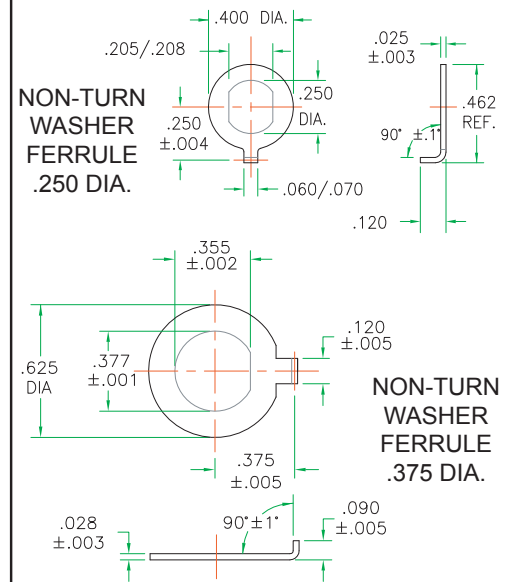
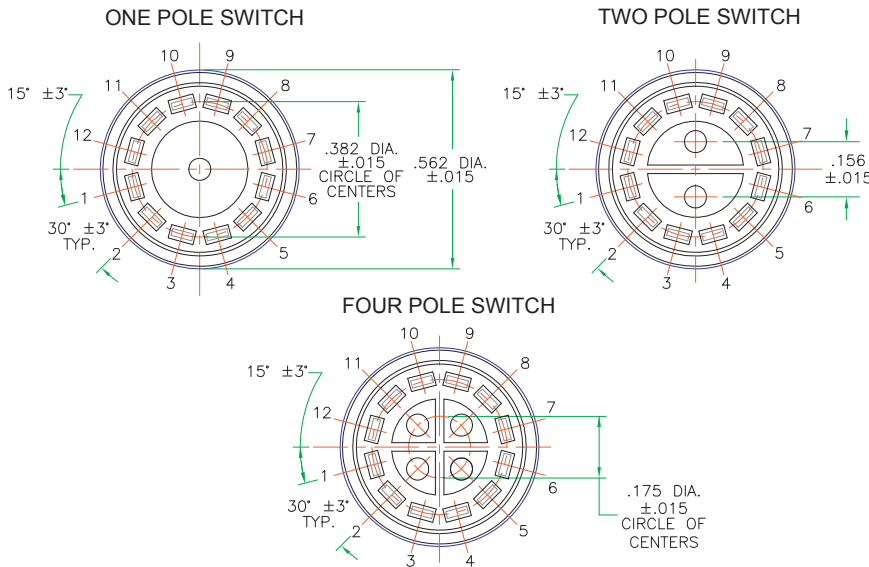
| Indexing | Part No. | Switch Action   | Switch Action Description | No. of Poles | Position per Pole | Lowest Non-Momentary Position |
|----------|----------|---|---------------------------|--------------|-------------------|-------------------------------|
| 30°      | 1811     |    | 1→2D3D4←5                 | 1 or 2       | 5                 | 2                             |
| 30°      | 1812     |   | 1→2D3D4D5D6               | 1 or 2       | 6                 | 2                             |
| 30°      | 1813     |  | 1D2D3D4D5←6               | 1 or 2       | 6                 | 1                             |
| 30°      | 1814     |  | 1→2D3D4D5←6               | 1 or 2       | 6                 | 2                             |

# 1830 SERIES

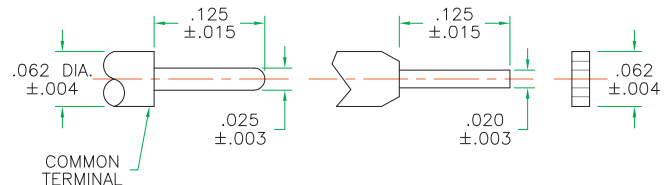
.562" Diameter, 30° Indexing Enclosed Rotary Switches

## 1830 Series Typical Features

### REAR VIEW FOR SOLDER LUG & PC. TERMINAL



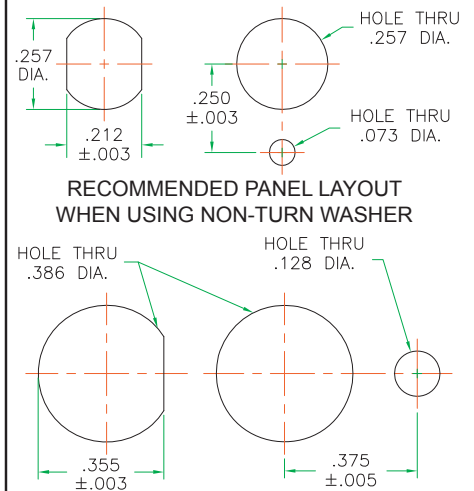
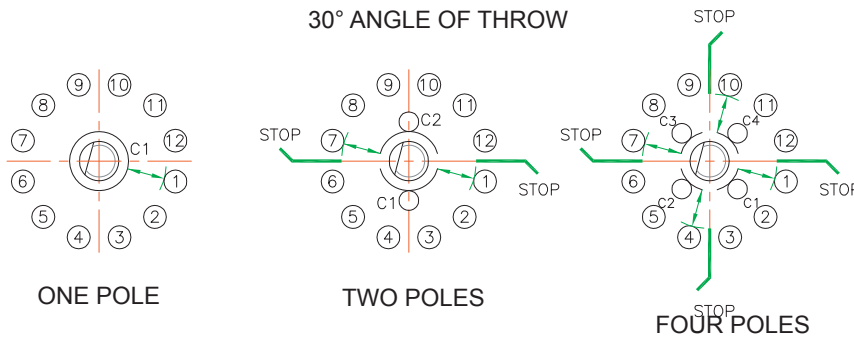
SOLDER-LUG TERMINAL DETAIL



PRINTED CIRCUIT TERMINAL DETAIL

### SCHEMATIC DIAGRAMS (VIEWED FROM SHAFT END AND SHOWN IN POSITION #1)

#### 30° ANGLE OF THROW



#### RECOMMENDED PANEL LAYOUT WHEN USING NON-TURN WASHER

#### NOTES:

1. Dimensions are in inches.
2. Unless otherwise specified, tolerances are  $\pm 0.010$  and  $\pm 3^\circ$  on angles (Non-accumulative).
3. Position 1 and Terminal 1 coincide.
4. Dimension shown are typical for all angles of throw, unless otherwise specified.



2650 South Croddy Way Phone: 714.556.3100  
 P.O. Box 25063 Fax: 714.241.9061  
 Santa Ana, CA 92799-5063 Email: sales@cole-switches.com

[www.cole-switches.com](http://www.cole-switches.com)

ISO9001 CERTIFIED

©2020 Cole Instrument Corp. All rights reserved. F-032619

# 1830 SERIES

.562" Diameter, 30° Indexing Enclosed Rotary Switches

## Series 1830 Technical Data

| Specification   | Unit            | Value         | Note:  |
|---|-----------------|---------------|--|
| Military Specifications                                 |                 | MIL-DTL-3786  |  |
| Continuous (Non-Switching) Current Carrying Capacity    | Amps            | 6             | at 28 VDC, with max. contact temperature rise of 20°C                            |
| Switching Current Capacity at 28 VDC resistive          | Amps            | 0.200         | at Atmospheric pressure with 85°C and at reduced Barometric pressure with 25°C   |
| Switching Current Capacity at 115 VAC resistive         | Amps            | 0.150         |  |
| Switching Current Capacity at 28 VDC inductive (2.8 H.) | Amps            | 0.030         |  |
| Switching Current Capacity at 28 VDC Lamp Load          | Amps            | 0.100         |  |
| Low Level max. capacity                                 | mA              | 10            | at 30 millivolts DC max.   |
| Dielectric Strength, min.                               | VRMS            | 450           |  |
| Contact resistance, max. (initial)                      | milliohms (mΩ)  | 50            |  |
| Contact resistance, max. (after life)                   | milliohms (mΩ)  | 100           |  |
| Insulation resistance, min. (initial)                   | megaohms (MΩ)   | 50,000        | at 100 VDC   |
| Insulation resistance, min. (after life)                | megaohms (MΩ)   | 25,000        | at 100 VDC   |
| Switching Life  | cycles          | 25,000        | at rated loads, sea-level, 25°C, 68% relative humidity                           |
| Mechanical Life   | cycles          | 25,000        |  |
| Spring Return Life                                      | cycles          | 15,000        | for momentary cycles   |
| Rotational Torque, min.                                 | inch ounces     | 8             |  |
| Rotational Torque, max.                                 | inch ounces     | 24            |  |
| Stop Strength, max.                                     | inch pounds     | 7             |  |
| Mounting Ferrule Strength                               | inch pounds     | 15            |  |
| Withstanding Shaft Push Force                           | pounds          | 100           |  |
| Weight  | grams           | 13            |  |
| Molded Parts  |                 | thermoplastic |  |
| Contact Surfaces  |                 | Gold plated   |  |
| Altitude  | feet            | 70,000        | typical pressure at 70,000 feet: 0.64 psi  |
| Temperature, min.                                       | degrees Celsius | -65           |  |
| Temperature, max.                                       | degrees Celsius | 85            |  |
| Vibration Tested  |                 | Meets         | Per MIL-DTL-3786, MIL-STD-202, Method 204, test condition "B", vibration grade 3 |
| Impact Shock, Medium                                    |                 | Meets         | MIL-STD 202; Method 213  |
| Impact Shock, High                                      |                 | Meets         | at 100g, MIL-STD 202, Method 207   |
| Moisture Resistant                                      |                 | Meets         | MIL-STD 202; Method 106  |
| Salt Spray Resistant                                    |                 | Meets         | MIL-STD 202, Method 101, Condition "B"   |
| Explosion Proof   |                 | Meets         | MIL-STD 202, Method 109  |
| Immersion   |                 | Meets         | 3 feet water, MIL-STD-202, method 104, test condition "C"                        |
| EMI/RFI   |                 | Meets         | MIL-DTL-3786, 2 ohms Shaft to ground max.  |



**COLE**  
INSTRUMENT CORP.

2650 South Croddy Way Phone: 714.556.3100  
P.O. Box 25063 Fax: 714.241.9061  
Santa Ana, CA 92799-5063 Email: sales@cole-switches.com

[www.cole-switches.com](http://www.cole-switches.com)  
ISO9001 CERTIFIED

©2020 Cole Instrument Corp. All rights reserved. F-032619